

Keep this
manual onboard!



User Manual

For Thruster Models
DC SE & SE-IP Electric



DOCUMENT ID: 5915

REVISION: I3

DATE: 2025

LANGUAGE: EN

U
M

Contents

User Manual

General Operation Consideration and Precaution Guidelines	3
User operation	4
Control panel	5
Maintenance	6 - 8
Basic troubleshooting	9
Seasonal checklist	10
Product Specifications	11
Service and Support.....	12
Product Spare Parts and Additional Resources.....	12
Warranty Statement.....	12

Warnings and Safety

MC_0800

It is essential to follow all instructions within this document to avoid potential personal injury, death, or damage to existing products in the vessel, the vessel's hull integrity, and including this product during installation or operation. Failure to follow instructions within this document will render all warranties given by Sleipner Motor as VOID.

Warnings and situations requiring extra caution are outlined in the documentation. Take extra consideration when warnings are outlined.



WARNING

Indicate a potentially hazardous situation that, if not avoided, could result in death or severe injury.



CAUTION

Indicates a potentially hazardous situation that could result in minor or moderate injury or critical damage to vessel integrity if not avoided.

MC_0020

General:

- The operator must read this document to ensure necessary familiarity with the product before use.
- It is the owner/ captain/ operators full responsibility to assess the risk of any unexpected incidents or situation on the vessel or at sea. Familiarise yourself with your vessels safety operation in conjunction with Sleipner products.
- DO NOT allow children to operate Sleipner products.



WARNING

Sleipner Motor AS is not responsible for damage or injury caused by the misuse of our products.

For the operation of Sleipner thrusters systems:

MC_0418

- When not in use or when leaving the boat, turn the control device off.
- When leaving the boat, always turn off the main power switch for the thruster.
- Never run the thruster while out of water.
- Stop running the thruster and turn it off if the thruster stops giving thrust while running. Running the thruster for more than a few seconds without resistance from the propeller can cause severe damage to the thruster drive components.
- The thruster will not run if two conflicting directions are input in two control panels simultaneously.
- If you notice any faults with the thruster, switch it off to avoid further damage.
- The purpose of the thruster is to manoeuvre or dock the vessel. Forward or reverse speed must not exceed 4 knots when operated.



WARNING

Never use thrusters close to objects, persons, or animals in the water. The thruster will draw objects into the tunnel, as well as the rotating propellers. Contact with the rotating propellers will cause severe injuries and damage to the thruster.

Turn off the main power switch before touching any part of the thruster. An incidental start while touching moving parts can cause serious injuries.

Always plan on how to avoid damage to persons or other objects if the thruster stops giving thrust for while manoeuvring.

For the operation of electric thrusters

MC_0004

- Know the location of the main battery switch, which disconnects the thruster from all power sources (batteries) in case of serious malfunction.
- Keep the main engine running while using the thruster to keep the batteries in a reasonable charge condition and give the thruster the expected performance defined.
- The electric motor, components, contacts/ plugs or other joints in the control cables must be mounted to remain dry.
- Any loose items near the thruster motor can cause problems with electrical wiring coming loose and short-circuiting.



CAUTION

Never store items (e.g. equipment, sails, ropes etc.) in the same compartment as the thruster. When the thruster runs for an extended period, it can reach high temperatures and will cause damage to nearby items or cause a fire.

For the operation of DC electric motors

MC_0419

- The DC electric motor will generate some carbon dust during operation. Ensure any storage compartments are separated from the thruster area to prevent nearby items from becoming dusty.
- The maximum continuous run time of the electrical thruster is approximately 3 minutes. The electrical motor includes a built-in thermal cut off switch that will shut down the motor when it detects overheating. Consider this when planning your manoeuvring.

For lithium batteries powering ON/OFF thruster systems:

MC_0501

- High capacity lithium batteries are capable of supplying a higher operating voltage to the motor than the ON/OFF thrusters are rated for. Running thrusters at higher than rated voltage will reduce operating time, increase wear and damage the thruster. Operating the thruster outside specified ratings will void warranty.

For Ignition Protected systems:

MC_0007



CAUTION

NEVER Disassemble any part of the Ignition Protected assembly. Tampering with the Ignition Protected assembly will cause it to lose this safety feature. If there is a problem with your Ignition Protected motor, please contact your dealer.

! Please refer to the graphic for special considerations relating to your model !

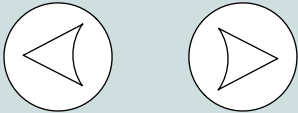
The following is an operation guide to ALL Sleipner control products. Ensure to familiarise yourself with the functionality and operation of your specific control device.

WARNING

Take time to practice operation in open water to become familiar with the thruster and to avoid damages to your boat or people.

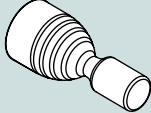
General operation

1. Turn on the main power switch for the bow thruster. **(NB: Always turn off the main power switch when not on-board.)**
2. Turn on the control panel by pushing the/ both "ON" button(s) on the original Sleipner panel simultaneously.
Turn off the control panel by pushing the "OFF" button
3. To turn the bow/ stern in the desired direction:



Button control panels

For button control, push the button in the corresponding direction you wish the bow/ stern to move.



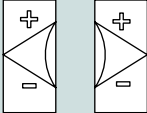
Joystick control panels

For joystick control, move the joystick in the direction you wish the bow/ stern to move.

(NB: If equipped for proportional control move the joystick equivalent to the amount of thrust you intend to receive.)
For other controls like foot switches or toggle-switches please refer to that products user manual for detailed operational use.

Hold functionality

If equipped with 'hold' functionality push the button in the corresponding direction you wish the thrusters to engage a holding pattern:



Hold Button
+ or -

Will increase or decrease the holding force output of the thrusters

Operating a combined bow and stern thruster

The combination of a bow and stern thruster offers total manoeuvrability to move the bow and the stern separately from each other or in unison. This enables the boat to move sideways in both directions or turn the boat around a 360° axis while staying stationary.

Remote controls

CAUTION

The remote control design reflects the vessel for orientation guidance. Be aware of the remote control orientation during operation.



Drift

Depending on the sideways speed of the bow/ stern, you must disengage the control device shortly before the vessel is in the desired position.
(NB: Be aware the boat will continue to move after disengaging the thruster control.)

CAUTION

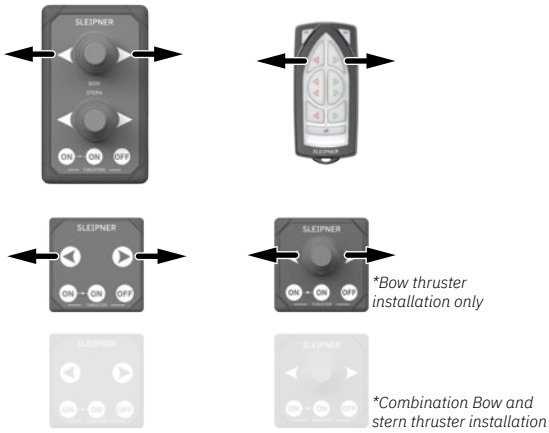
At any significant cruising speed (+1-2 kn) the side thruster will have little effect to steer the vessel.

Control Panel

Activating the bow thruster

Using your control device/ panel Press the button or move the joystick in the direction you intend to turn the boat. Ensure to use the control device/ panel designated for the bow thruster.

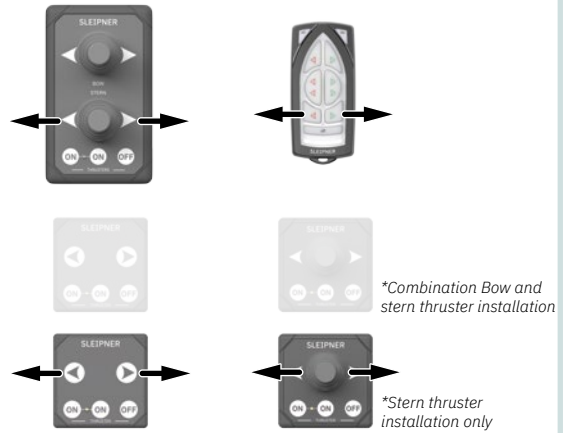
*Control panel example



Activating the stern thruster

Using your control device/ panel Press the button or move the joystick in the direction you intend to turn the boat. Ensure to use the control device/ panel designated for the stern thruster.

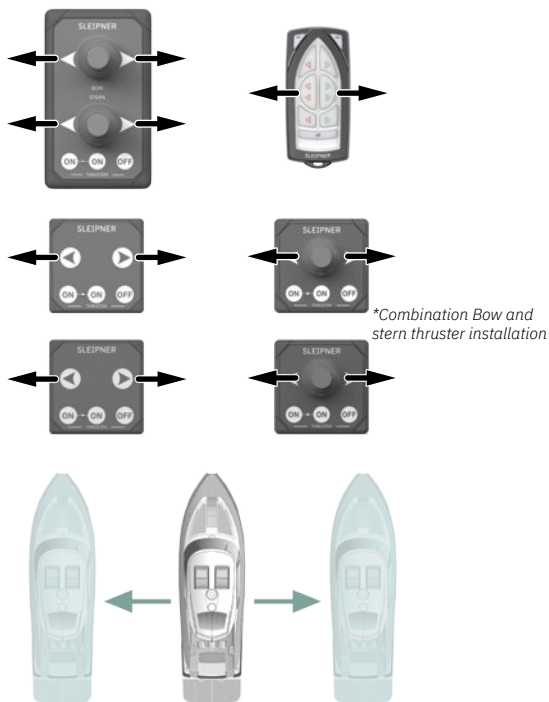
*Control panel example



Activating full sideways maneuverer

Using your control device/ panel Press both buttons or move the joysticks in the same direction you intend to move the boat. Requires both a bow and stern thruster to preform.

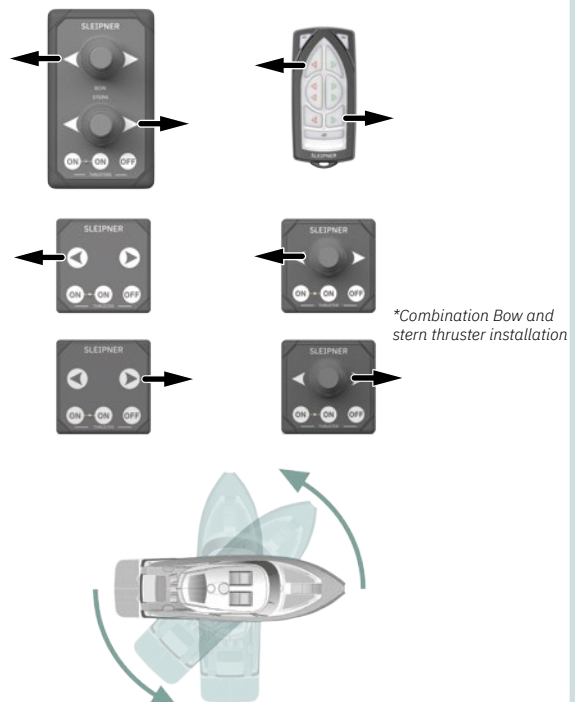
*Control panel example



Activating stationary spin to rotate the boat on its axis

Using your control device/ panel Press both buttons or move the joysticks in opposing directions. Requires both a bow and stern thruster to preform.

*Control panel example



For additional information on your control panel or device refer to your control devices user manual

As a part of the seasonal service of your Thruster before every season, always check that:

In Water

- The area around the thruster inside the boat is clean and dry. Ensure there are no signs of water leaks.
- All electrical connections are clean and fastened firmly.
- Ensure that your batteries are in good condition.

Out of Water

- Check the propeller(s) or tunnel for any damage for example impact damage.
- The propeller(s) is fastened securely to the gear leg.
- Check all components of thruster are fastened securely.
- Clean the tunnel and gear leg from marine growth.
- Paint the propeller and gear leg with anti-fouling before every season to keep it clean from sea growth. **(NB: Never paint the anode, sealing or propeller shaft. Ensure paint does not enter the space between the propeller and the gear leg.)**
- Change the anode before every season, or when half the anode has eroded. Always use a sealant or thread glue on the holding screw to ensure that it does not fall off.
- Check the gear leg is not leaking oil

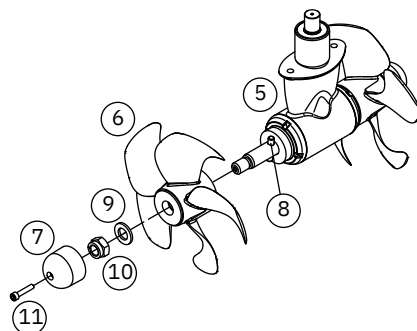
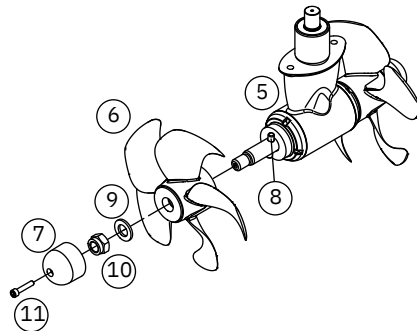
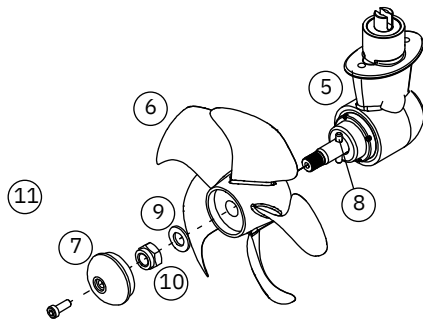
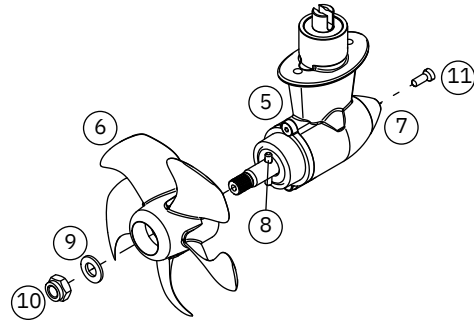
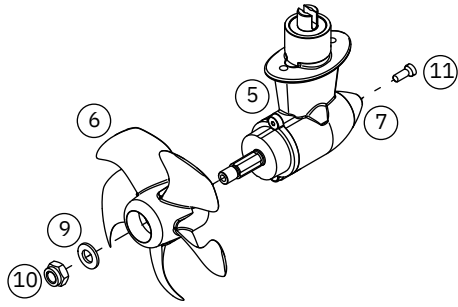
For Ignition Protected systems:

MC_0007



CAUTION

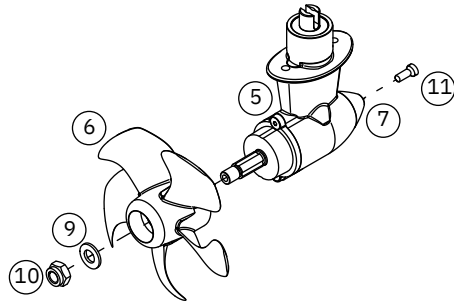
NEVER Disassemble any part of the Ignition Protected assembly. Tampering with the Ignition Protected assembly will cause it to lose this safety feature. If there is a problem with your Ignition Protected motor, please contact your dealer.



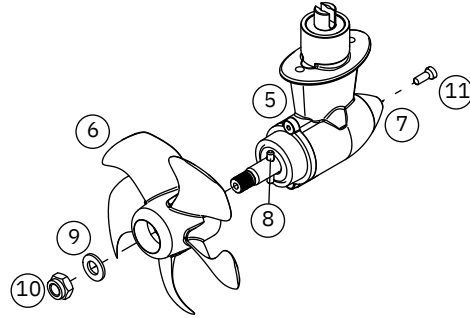
KEY:

- 1. Electro motor
- 2. Directional Solenoids/ power & control cables
- 3. Coupling (inside motor bracket)
- 4. Motor Bracket
- 5. Gear Leg
- 6. Propeller
- 7. Anode
- 8. Propeller Drive pin
- 9. Washer
- 10. Lock Nut
- 11. Fastening Screw for anode

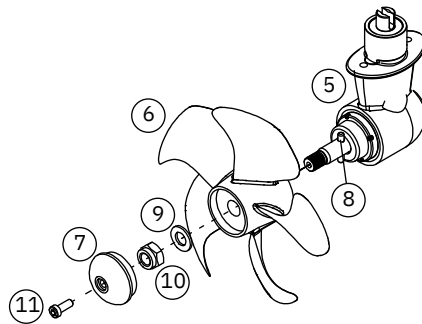
SE / SEP (IP)
*30
*40



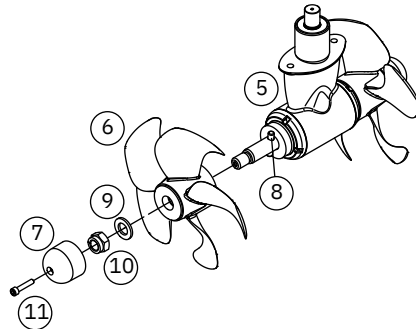
SE / SEP (IP)
*50



SE / SEP (IP)
*60



SE / SEP (IP)
*80
*100
*120
*130
*170



KEY:

- 1. Electro motor
- 2. Directional Solenoids/ power & control cables
- 3. Coupling (inside motor bracket)
- 4. Motor Bracket
- 5. Gear Leg
- 6. Propeller
- 7. Anode
- 8. Propeller Drive pin
- 9. Washer
- 10. Lock Nut
- 11. Fastening Screw for anode

Before seeking assistance from the website help desk from your Sleipner dealer/ distributor, please perform these tests.

(NB: If you are unable to understand or perform these checks, you must consult a Sleipner distributor.)

CHECK	SOLUTION
The motor runs, but there is no thrust	
Check propellers are fitted, fastened correctly and there is no damage to the prop shaft.	Re-fasten or replace if necessary
* Check the flexible coupling between the motor and drive shaft is fitted correctly and not damaged.	Replace if necessary
* Check the gear leg is not damaged.	Replace if necessary
The thrusters performance is reduced	
Check the propeller, gear house and tunnel are free from growth/ barnacles or debris and damage.	Remove growth and clean. (NB: If there is obstruction in the tunnel it will disturb/ block the water flow and significantly reduce performance.)
Check the battery is in a good working condition. (For DC systems only).	(NB: Keep the main engine(s) running in use to have a continuous charge to the batteries) <ul style="list-style-type: none"> • Check batteries are not worn out or in a bad charged condition • Check electrical connections/ wiring for damage or wear (corrosion) • Check cables are the correct size per the product manual • Tighten/ re-adjust connections
The thruster does not start/ works in only one direction or does not turn off	
Check the main switch is active/ on.	Open the main switch if it is closed.
Check all battery fuses are in good condition.	<ul style="list-style-type: none"> • Check batteries • Check electrical connections/ wiring for damage or wear (corrosion) • Tighten/ re-adjust and clean connections <div style="text-align: right; margin-top: -10px;">} Replace if necessary</div>
The thruster is not shutting off after the Joy Stick/ panel is disengaged.	Hit the main switch to disengage the thruster. Contact and consult a Sleipner distributor as the control system has been damaged.
The thruster works in only one direction	
Damaged relay.	Hit the main switch to disengage the thruster. Contact and consult a Sleipner distributor as the control system has been damaged.
The thruster runs in a pulsing action	
This is a build-in error response. -Solenoids failure	Hit the main switch to disengage the thruster. Contact and consult a Sleipner distributor.
The solenoid might be in a lock-in/ auto stop position.	Hit the main switch to disengage the thruster. Contact and consult a Sleipner distributor.

* Not applicable to SX thrusters.

CHECK TO PERFORM	DATE											
The propeller is fastened securely to the gear leg.												
The thruster components are fastened securely.												
The area around the thruster is clean and dry. If there are signs of water, try to find the source and eliminate it.												
Apply the propeller and gear leg with anti-fouling.												
Batteries are in good condition.												
All electrical connections are clean and fastened firmly.												
Replace the anode.												

Product	Nominal Voltage	Thrust for: 12V or 24V	Thrust at 10.5V ^(12V) or 21V ^(24V)	Maximum Operation Time	Power	Weight
SE20	12V	25 kg / 55 lbs	20 kg / 44 lbs	S2 motor at 2 - 3 min. duty cycle at 20°C (ambient temperature)	1.5kw / 2hp	9.5kg / 21lbs
SE25	12V	30 kg / 66 lbs	25 kg / 55 lbs	S2 motor at 2 - 3 min. duty cycle at 20°C (ambient temperature)	1.5kw / 2hp	9.5kg / 21lbs
SE30	12V	40 kg / 88 lbs	30 kg / 66 lbs	S2 motor at 2 - 3 min. duty cycle at 20°C (ambient temperature)	1.5kw / 2hp	9.5kg / 21lbs
SE40	12V	48 kg / 105 lbs	40 kg / 88 lbs	S2 motor at 2 - 3 min. duty cycle at 20°C (ambient temperature)	2.2kw / 3hp	10kg / 22lbs
SE50	12V	62 kg / 136 lbs	40 kg / 110 lbs	S2 motor at 2 - 3 min. duty cycle at 20°C (ambient temperature)	2.4kw / 3.2hp	15kg / 33lbs
	24V	62 kg / 136 lbs	40 kg / 110 lbs	S2 motor at 2 - 3 min. duty cycle at 20°C (ambient temperature)	2.4kw / 3.2hp	15kg / 33lbs
SE60	12V	73 kg / 161 lbs	60 kg / 132 lbs	S2 motor at 2 - 3 min. duty cycle at 20°C (ambient temperature)	3.1kw / 4hp	16kg / 35lbs
	24V	73 kg / 161 lbs	60 kg / 132 lbs	S2 motor at 2 - 3 min. duty cycle at 20°C (ambient temperature)	3.1kw / 4hp	16kg / 35lbs
SE80	12V	96 kg / 212 lbs	80 kg / 176 lbs	S2 motor at 2 - 3 min. duty cycle at 20°C (ambient temperature)	4.4kw / 6hp	20kg / 44lbs
	24V	96 kg / 212 lbs	80 kg / 176 lbs	S2 motor at 2 - 3 min. duty cycle at 20°C (ambient temperature)	4.4kw / 6hp	20kg / 44lbs
SE100	12V	116 kg / 256 lbs	100 kg / 220 lbs	S2 motor at 2 - 3 min. duty cycle at 20°C (ambient temperature)	6.3kw / 8.4hp	31kg / 68lbs
	24V	116 kg / 256 lbs	100 kg / 220 lbs	S2 motor at 2 - 3 min. duty cycle at 20°C (ambient temperature)	6.3kw / 8.4hp	31kg / 68lbs
SE120	24V	139 kg / 306 lbs	120 kg / 264 lbs	S2 motor at 2 - 3 min. duty cycle at 20°C (ambient temperature)	6.4kw / 8.55hp	34kg / 74lbs
SE130	12V	160 kg / 352 lbs	130 kg / 284 lbs	S2 motor at 2 - 3 min. duty cycle at 20°C (ambient temperature)	6.5kw / 8.7hp	37kg / 77lbs
	24V	160 kg / 352 lbs	130 kg / 284 lbs	S2 motor at 2 - 3 min. duty cycle at 20°C (ambient temperature)	6.5kw / 8.7hp	37kg / 77lbs
SE150	24V	182 kg / 400 lbs	150 kg / 330 lbs	S2 motor at 2 - 3 min. duty cycle at 20°C (ambient temperature)	8.8kw / 11.8hp	38kg / 79lbs
SE170	24V	210 kg / 462 lbs	170 kg / 374 lbs	S2 motor at 2 - 3 min. duty cycle at 20°C (ambient temperature)	8kw / 11.8hp	44kg / 97lbs
SE210	24V	250 kg / 550 lbs	210 kg / 462 lbs	S2 motor at 2 - 3 min. duty cycle at 20°C (ambient temperature)	10kw / 13.15hp	68kg / 150lbs
SE250	24V	300 kg / 661 lbs	250 kg / 551 lbs	S2 motor at 2 - 3 min. duty cycle at 20°C (ambient temperature)	11.4kw / 15.5hp	70kg / 154lbs
SE300	24V	350 kg / 749 lbs	300 kg / 661 lbs	S2 motor at 2 - 3 min. duty cycle at 20°C (ambient temperature)	15kw / 20hp	73kg / 160lbs
	48V	350 kg / 749 lbs	300 kg / 661 lbs	S2 motor at 2 - 3 min. duty cycle at 20°C (ambient temperature)	15kw / 20hp	73kg / 160lbs

Introduction:

At Sleipner Group, we prioritize sustainability and encourage the repair and re-manufacturing of products to extend their life cycles. If disposal is necessary, please follow these guidelines to recycle and manage waste responsibly, ensuring our efforts align with environmental protection efforts.

Electric Motors and Electronics:

- Disconnect from any power sources and dismantle them carefully.
- Recycle components through certified e-waste recycling centers that can adequately handle and recover electronic materials.
- Dispose of any non-recyclable electronic parts according to local environmental regulations.

Metals:

- Collect and sort metal parts for recycling as scrap metal.
- To increase recycling efficiency, ensure that metals are clean and free from non-metal attachments.

Plastics:

- Identify recyclable plastics based on local recycling guidelines.
- Remove any non-plastic components and clean them before recycling to improve the quality of the recycled material.

Hazardous Materials:

- Correctly identify any hazardous substances within components, such as batteries or capacitors etc.
- Follow local regulations for the safe disposal of hazardous materials to prevent pollution and protect environmental health.

General Disposal Instructions:

- Consult local recycling programs to determine the acceptability of various materials.
- Use authorized disposal services to ensure compliance with environmental standards.

Safe Disposal Practices:

- Adhere to local laws and regulations for waste management to minimize environmental impact and ensure community safety.

This guide is designed to help reduce our products' environmental footprint through responsible end-of-life management. Please contact your local waste management supplier or our support team for more specific disposal information or further assistance.

Find your local professional dealer from our certified worldwide network for expert service and support. visit our website www.sleipnergrouper.com/support

Product spare parts and additional resources

For additional supporting documentation, we advise you to visit our website www.sleipnergrouper.com and find your Sleipner product.

Warranty statement

1. Sleipner Motor AS (The “Warrantor”) warrants that the equipment (parts, materials, and embedded software of products) manufactured by the Warrantor is free from defects in workmanship and materials for purpose for which the equipment is intended and under normal use and maintenance service (the “Warranty”).
2. This Warranty is in effect for two years (Leisure Use) or one year (Commercial and other Non-leisure Use) from the date of delivery/purchase by the end user, with the following exceptions:
 - (a) For demonstration vessels, or vessels kept on the water, the dealer is considered as the end user from 6 months after their launch of the vessel;
 - (b) The warranty period starts no later than 18 months after the first launch of the vessel.
 Please note that the boat manufacturer and dealer must pay particular attention to correct maintenance and service both by the products manuals as well as general good practice for the location the boat is kept in the period the boat is in their care. In cases where the 6 and 18 months grace periods for boat builders and dealers are passed, it is possible to obtain a full warranty upon inspection and approval of the warrantor or such representative.
3. Certain parts, classified as wearable or service parts, are not covered by the warranty. A failure to follow the required maintenance and service work as described in the product manual render all warranty on parts or components directly or indirectly affected by this void. Please also note that for some parts, time is also a factor separately from actual operational hours.
4. This Warranty is transferable and covers the equipment for the specified warranty period.
5. The warranty does not apply to defects or damages caused by faulty installation or hook-up, abuse or misuse of the equipment including exposure to excessive heat, salt or fresh water spray, or water immersion except for equipment specifically designed as waterproof.
6. In case the equipment seems to be defective, the warranty holder (the “Claimant”) must do the following to make a claim:
 - (a) Contact the dealer or service centre where the equipment was purchased and make the claim. Alternatively, the Claimant can make the claim to a dealer or service centre found at www.sleipnergrouper.com. The Claimant must present a detailed written statement of the nature and circumstances of the defect, to the best of the Claimant’s knowledge, including product identification and serial nbr., the date and place of purchase and the name and address of the installer. Proof of purchase date should be included with the claim, to verify that the warranty period has not expired;
 - (b) Make the equipment available for troubleshooting and repair, with direct and workable access, including dismantling of furnishings or similar, if any, either at the premises of the Warrantor or an authorised service representative approved by the Warrantor. Equipment can only be returned to the Warrantor or an authorised service representative for repair following a pre-approval by the Warrantor’s Help Desk and if so, with the Return Authorisation Number visible postage/shipping prepaid and at the expense of the Claimant.
7. Examination and handling of the warranty claim:
 - (a) If upon the Warrantor’s or authorised service Representative’s examination, the defect is determined to result from defective material or workmanship in the warranty period, the equipment will be repaired or replaced at the Warrantor’s option without charge, and returned to the Purchaser at the Warrantor’s expense. If, on the other hand, the claim is determined to result from circumstances such as described in section 4 above or a result of wear and tear exceeding that for which the equipment is intended (e.g. commercial use of equipment intended for leisure use), the costs for the troubleshooting and repair shall be borne by the Claimant;
 - (b) No refund of the purchase price will be granted to the Claimant, unless the Warrantor is unable to remedy the defect after having a reasonable number of opportunities to do so. In the event that attempts to remedy the defect have failed, the Claimant may claim a refund of the purchase price, provided that the Claimant submits a statement in writing from a professional boating equipment supplier that the installation instructions of the Installation and Operation Manual have been complied with and that the defect remains.
8. Warranty service shall be performed only by the Warrantor, or an authorised service representative, and any attempt to remedy the defect by anyone else shall render this warranty void.
9. No other warranty is given beyond those described above, implied or otherwise, including any implied warranty of merchantability, fitness for a particular purpose other than the purpose for which the equipment is intended, and any other obligations on the part of the Warrantor or its employees and representatives.
10. There shall be no responsibility or liability whatsoever on the part of the Warrantor or its employees and representatives based on this Warranty for injury to any person or persons, or damage to property, loss of income or profit, or any other incidental, consequential or resulting damage or cost claimed to have been incurred through the use or sale of the equipment, including any possible failure or malfunction of the equipment or damages arising from collision with other vessels or objects.
11. This warranty gives you specific legal rights, and you may also have other rights which vary from country to country.

Patents

At Sleipner we continually reinvest to develop and offer the latest technology in marine advancements. To see the many unique designs we have patented, visit our website www.sleipnergrouper.com/patents

A series of horizontal dotted lines for taking notes.

A series of horizontal dotted lines for taking notes.

© **Sleipner Motor AS**, All rights reserved

The information given in the document was right at the time it was published. However, Sleipner Motor AS cannot accept liability for any inaccuracies or omissions it may contain. Continuous product improvement may change the product specifications without notice. Therefore, Sleipner Motor AS cannot accept liability for any possible differences between product and document.

Learn more about our products at
www.sleipnergroun.com



SLEIPNER MOTOR AS

P.O. Box 519

N-1612 Fredrikstad

Norway

www.sleipnergroun.com

Made in Norway